

MZERT 17 PSK-TSSL Cylinder Sensor

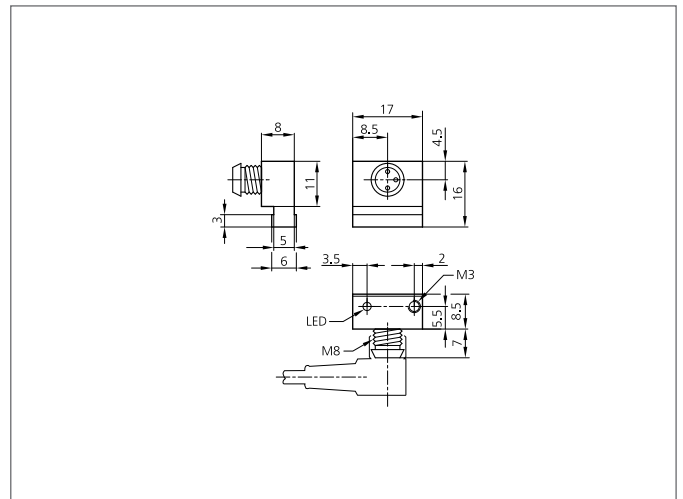
- For pneumatic cylinders with T-shaped slot
- Metal casing with metal connector M8
- All-electronically
- High reproducibility
- High protection class



Safety instructions

The Instruments are not to be used for safety applications, in particular applications in which safety of persons depends on proper operation of the instruments.

These instruments shall exclusively be used by qualified personnel.



TECHNICAL INFORMATION (typ.)	+20°C, 24V DC
Cylinder groove	T-groove, mounting in longitudinal direction of slot
Mounting	Locking screw, allen screw SW 1.5 mm
Maximum rating	200 mA, short-circuit-proof, polarity-safe
Service voltage	10 ... 30 V DC
Internal power consumption	< 10 mA
Switching output	pnp, NO
Display	LED: yellow - output signal
Voltage drop	2,0 V
Switching frequency	1.000 Hz
Reproducibility	< 0,1 mm
Ambient temperature	-25 ... +70 °C
Insulation voltage endurance	500 V
Protection class	IP 67
Protection degree	III, operation on protective low voltage
Casing material	Die-cast zinc
Connection	Connector, M8
Connecting cable	TK ...